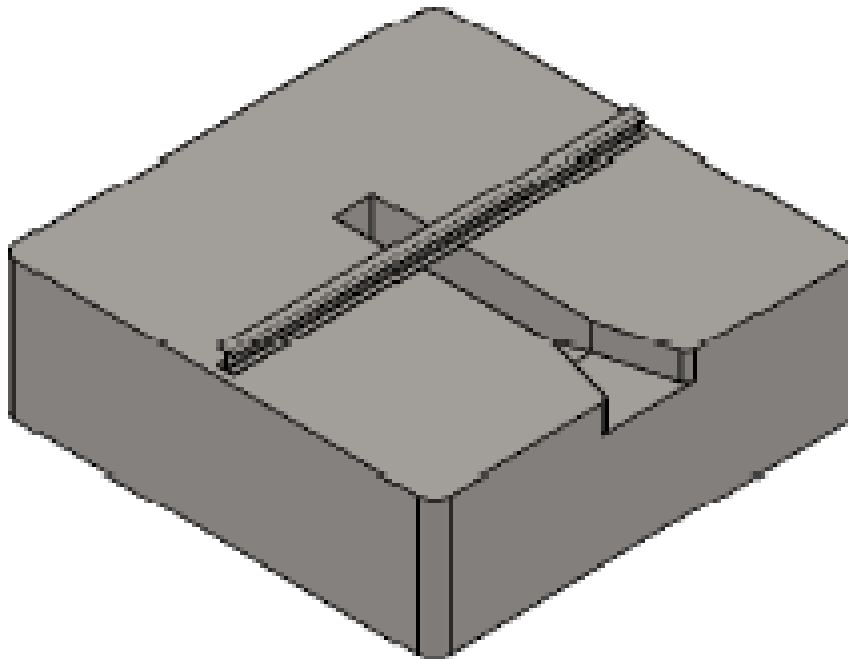




Anchor Pontoon



ISOVIEW

Technical specifications

Dimensions (lxbxh) (mm):	7840 x 7840 x 2150
Other information:	1 ballast compartment with access via manhole on top
Cross over beam:	HEB 300

All the above particulars are believed to be correct, but not guaranteed