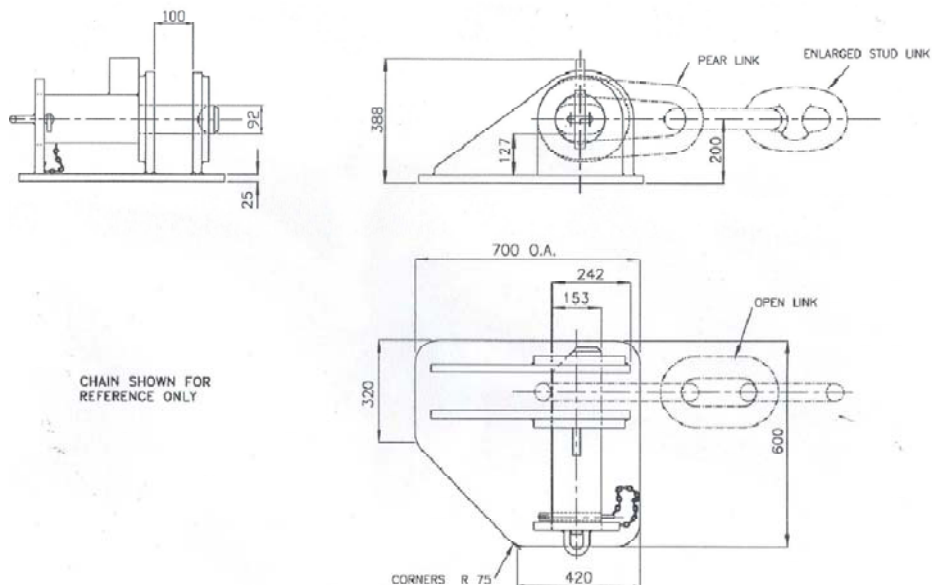


## 102 SWL Tonnes Smit bracket



### Technical specifications

Manufacturer:	Fendercare Ltd
Capacity:	MBL 204 Tonnes
Plate Dimensions (mm):	LXBXH: 1100x990x40, bolt holes: 55
D-ring capacity:	MBL 60 Tonnes
Weight:	abt: 700 Kg

*All the above particulars are believed to be correct, but not guaranteed*